

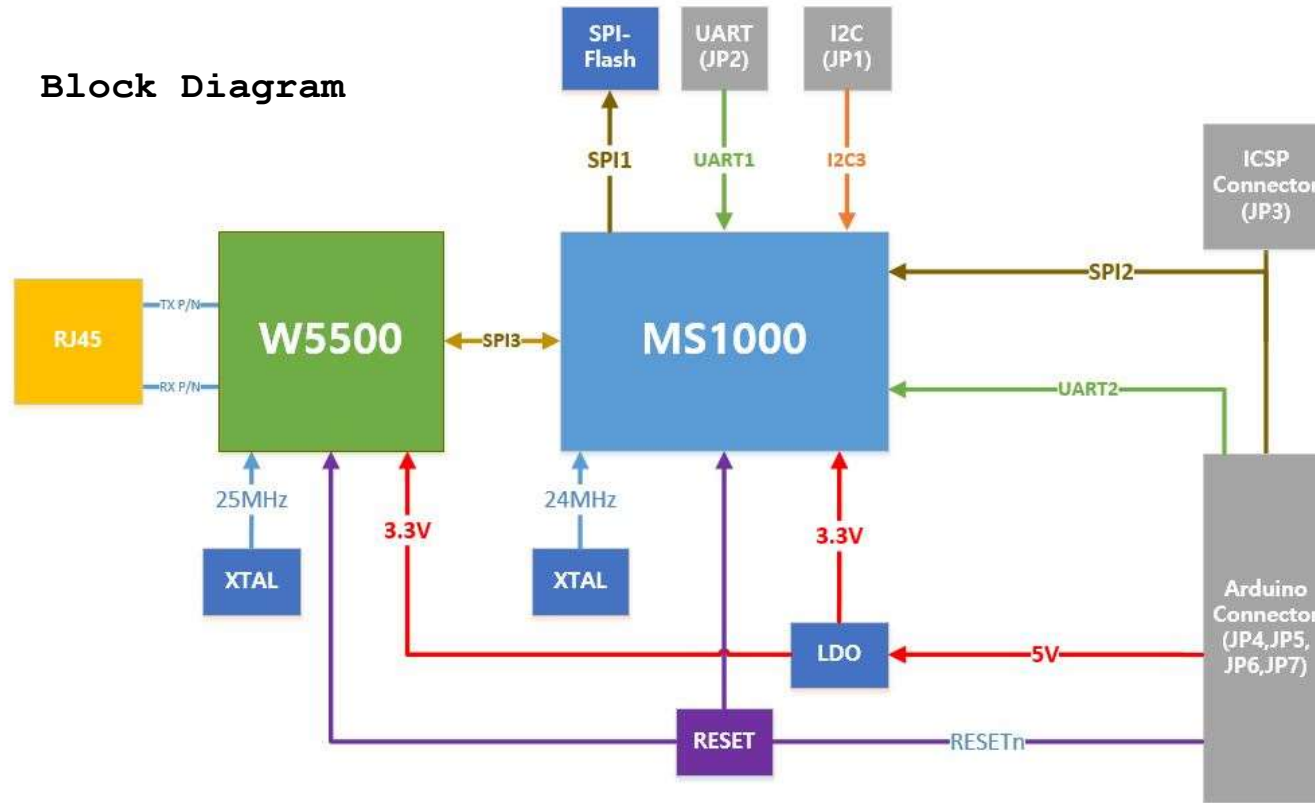
W5500 Ethernet Shield S

V1.0_Rev00

Table of Content

Page 1	TITLE PAGE
Page 2	W5500
Page 3	Arduino
Page 4	MS1000

Block Diagram



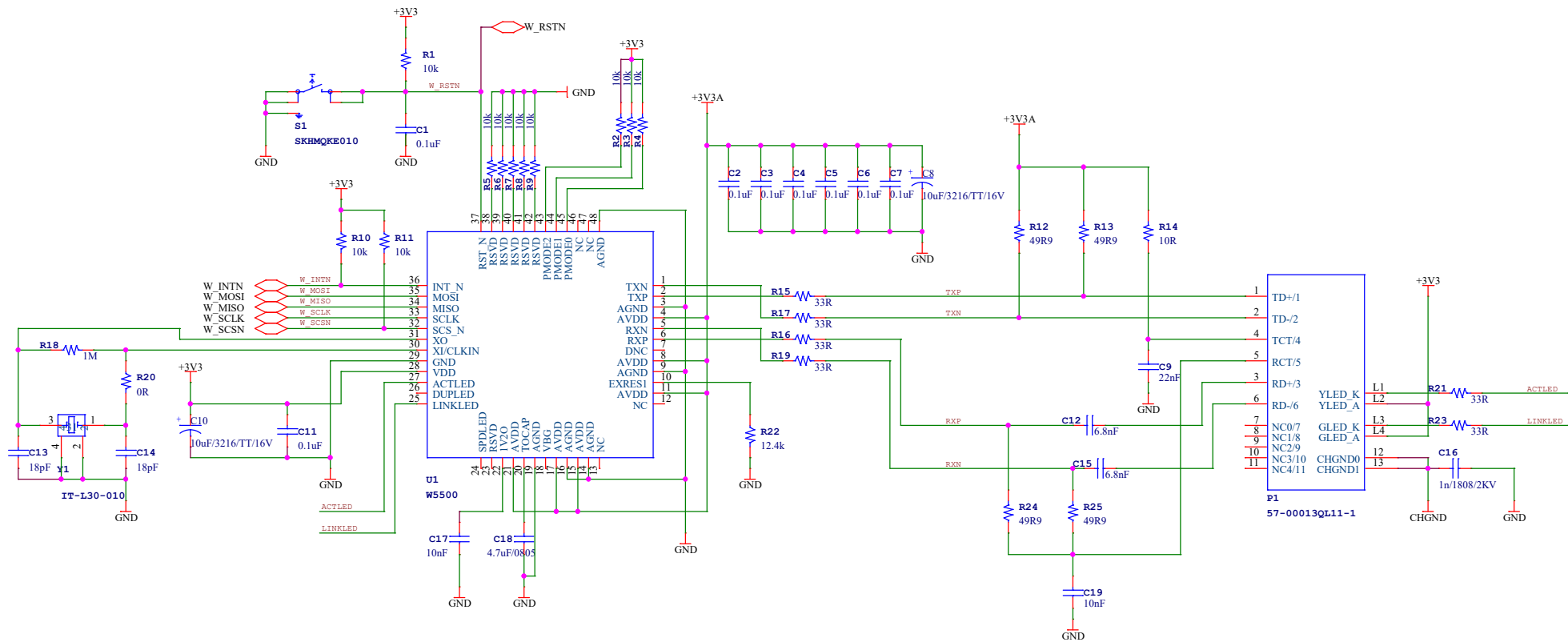
Revision History

Rev. Code	Date	Description
V1.0_Rev00	2016-10-15	Draft

W5500 Ethernet Shield S

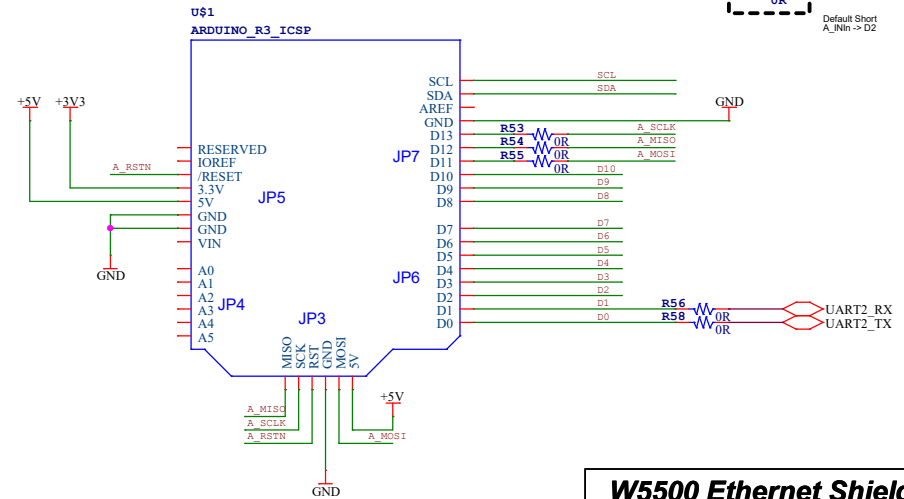
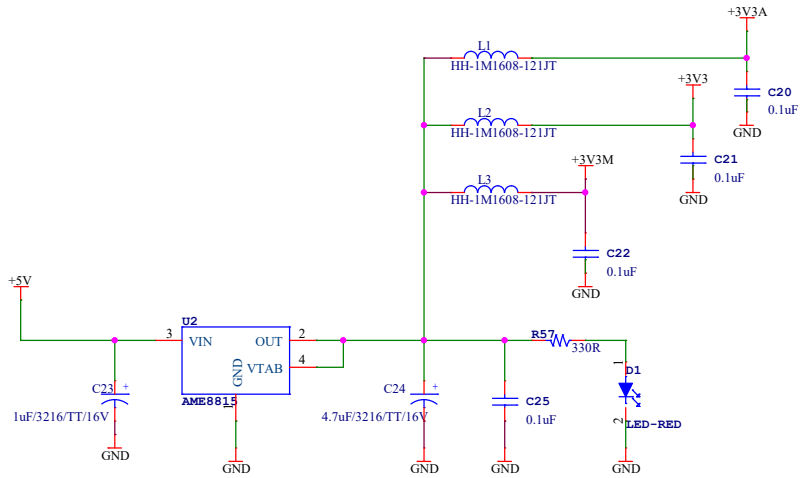
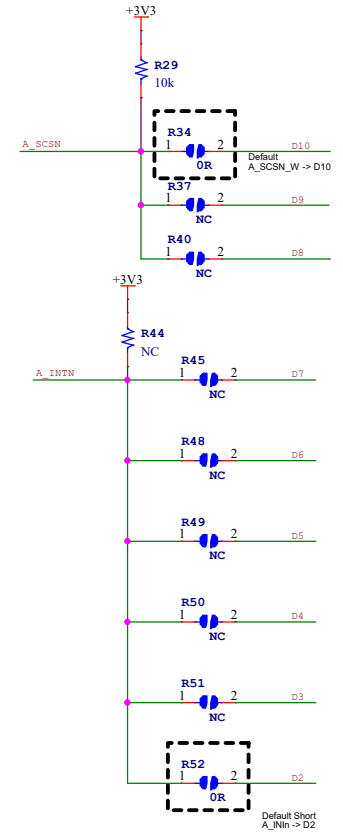
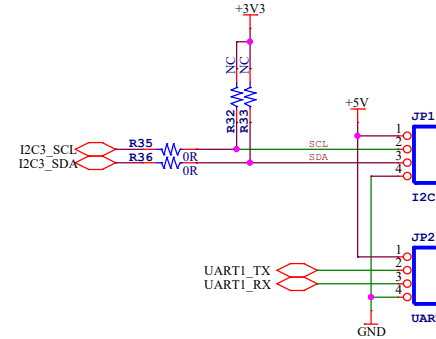
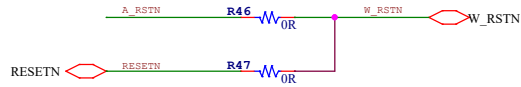
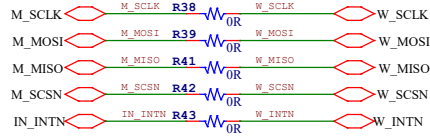
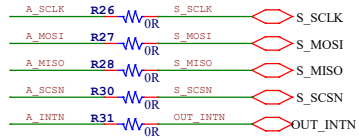
R&D Center
 Designed By J.N.Lee
 eWBM Confidential. DO NOT COPY.

Title Page		
Size	Document Number	Rev
A3	<Doc>	V1.0
Date:	Saturday, October 15, 2016	Sheet 1 of 4



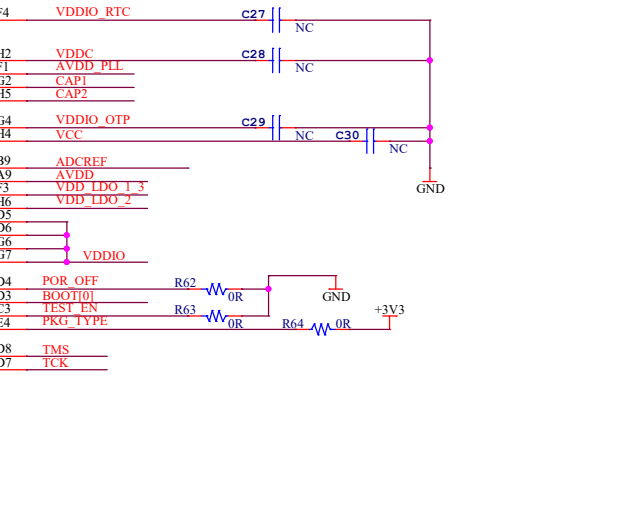
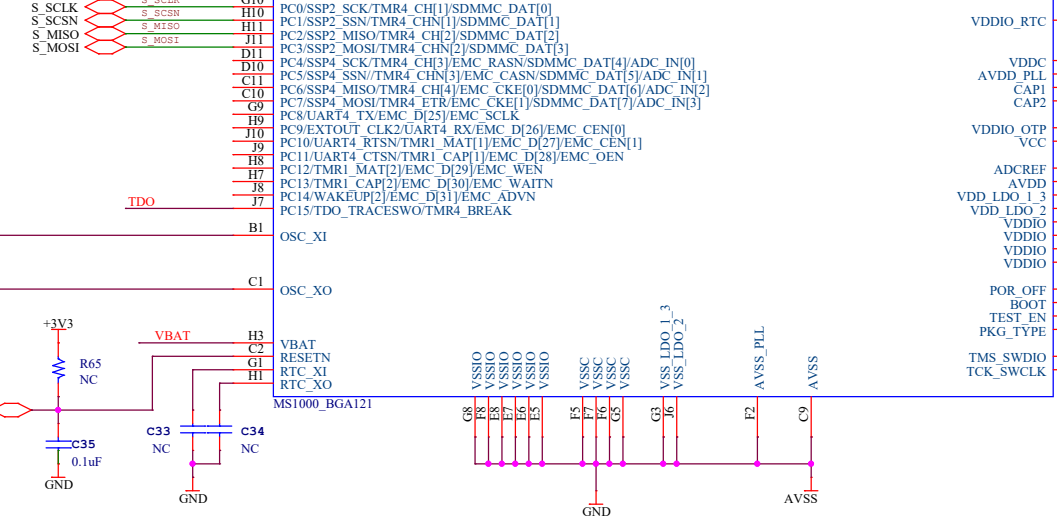
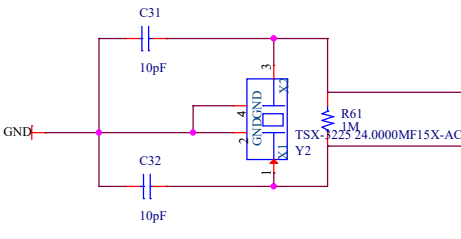
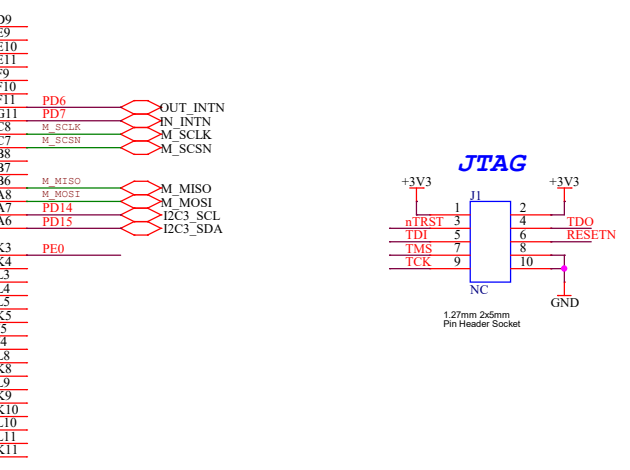
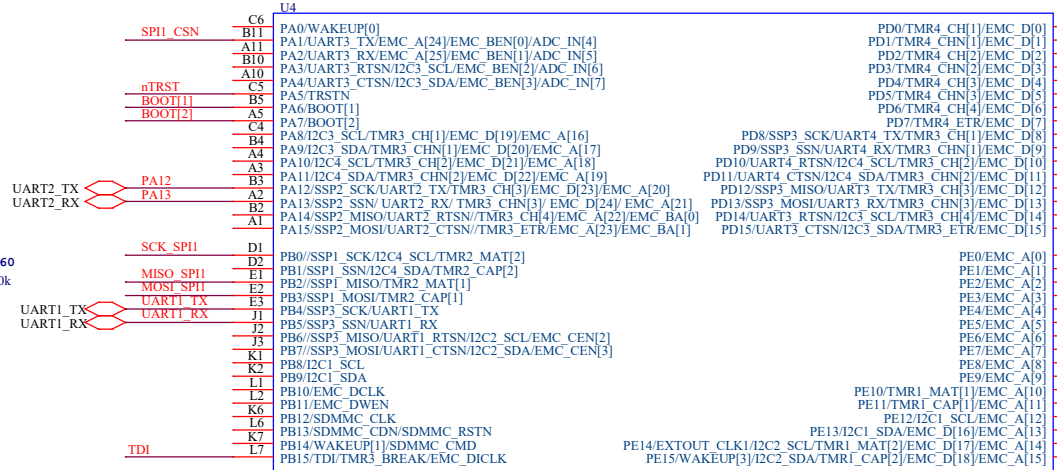
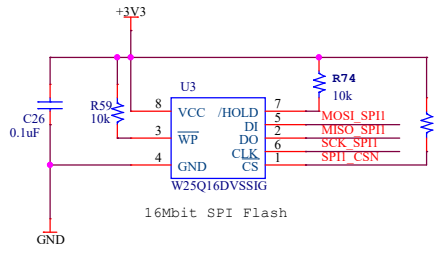
W5500 Ethernet Shield S
 R&D Center
 Designed By J.N.Lee
 eWBM Confidential. DO NOT COPY.

Title Page		
Size A3	Document Number <Doc>	Rev ES1.0
Date: Saturday, October 15, 2016		Sheet 2 of 4

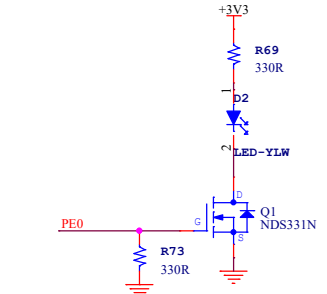
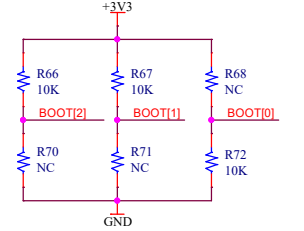


W5500 Ethernet Shield S
 R&D Center
 Designed By J.N.Lee
 eWBM Confidential. DO NOT COPY.

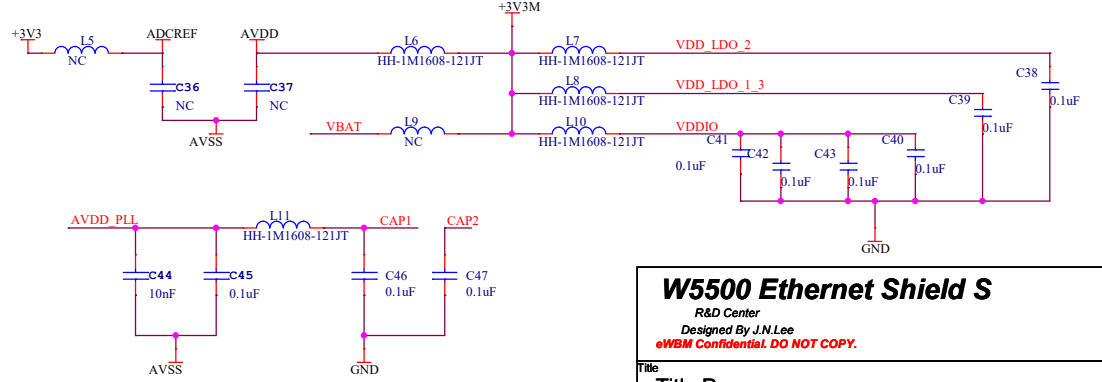
Title		Title Page	
Size	A3	Document Number	<Doc>
Date:	Saturday, October 15, 2016	Sheet	3 of 4
		Rev	V1.0



Boot Mode



BOOT2	BOOT1	BOOT0	Boot Mode
X	X	0	SPI Boot
X	0	1	SDMMC Boot
0	1	1	NOR XIP
1	1	1	SRAM Boot



W550 Ethernet Shield S
 R&D Center
 Designed By J.N.Lee
 eWBM Confidential. DO NOT COPY.

Title Page

Size A3 Document Number <Doc> Rev V1.0

Date: Saturday, October 15, 2016 Sheet 4 of 4